

Dimensions catalogue HÜPPE Vista pure frameless



Features

- Offer
- Order

yes	no	
<input type="radio"/>	<input type="radio"/>	Installation
<input type="radio"/>	<input type="radio"/>	Special drill holes
<input type="radio"/>	<input type="radio"/>	Non-standard widths/heights
<input type="radio"/>	<input type="radio"/>	Cross-bracing



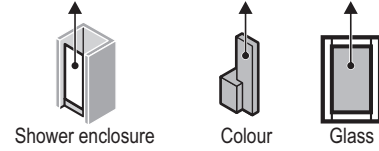
Service action

Order no.



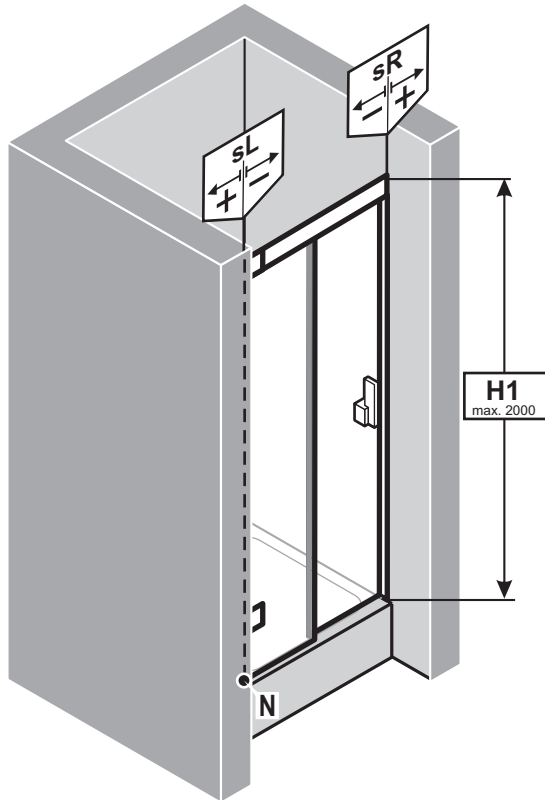
Item number

VR 0 0 9 • C 9 1 •



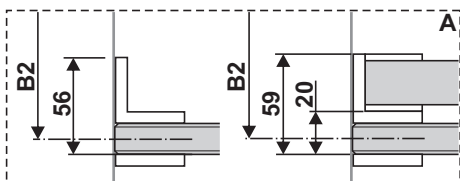
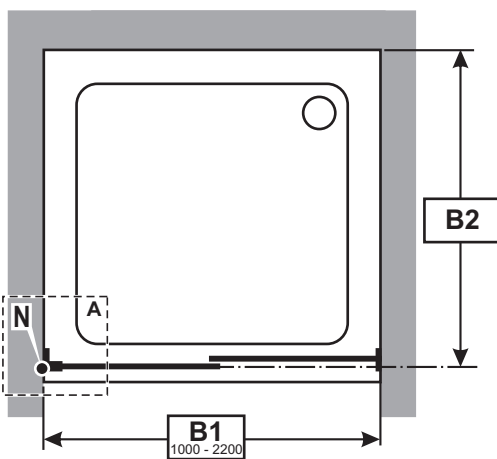
Sketch

= mm



Dimensions

H1	<input type="text"/>	sL	<input type="text" value="+"/> <input type="text"/>	<input type="text" value="-"/> <input type="text"/>
B1	<input type="text"/>	sR	<input type="text"/>	<input type="text"/>
B2	<input type="text"/>			



Technical information

.....

.....

.....

.....

.....

.....

.....

.....

.....

.....

Features

- Offer
- Order

- | | | |
|-----------------------|-----------------------|-----------------------------|
| yes | no | |
| <input type="radio"/> | <input type="radio"/> | Installation |
| <input type="radio"/> | <input type="radio"/> | Special drill holes |
| <input type="radio"/> | <input type="radio"/> | Non-standard widths/heights |
| <input type="radio"/> | <input type="radio"/> | Cross-bracing |



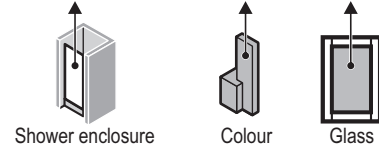
Service action

Order no.



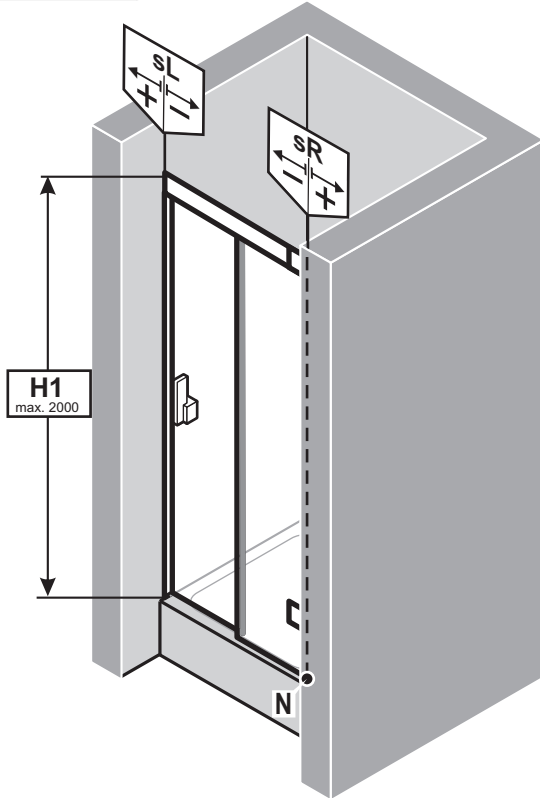
Item number

VR0019•C91•



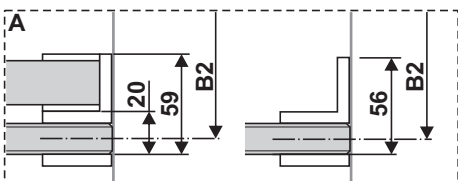
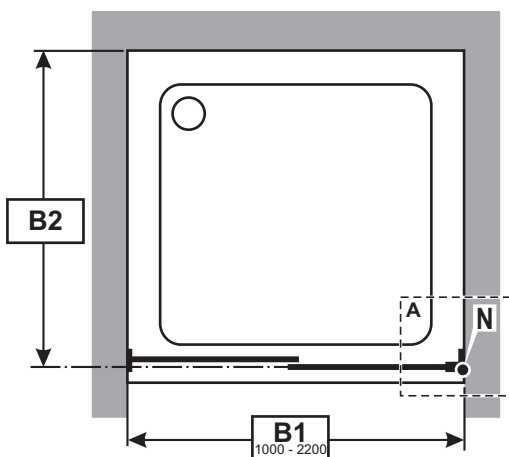
Sketch

5 10 15 20 25 30 = mm



Dimensions

		+	-
H1	<input type="text"/>	sL	<input type="text"/>
B1	<input type="text"/>	sR	<input type="text"/>
B2	<input type="text"/>		



Technical information

.....

.....

.....

.....

.....

.....

.....

.....

.....

.....

Features

- Offer
- Order

yes	no	
<input type="radio"/>	<input type="radio"/>	Installation
<input type="radio"/>	<input type="radio"/>	Special drill holes
<input type="radio"/>	<input type="radio"/>	Non-standard widths/heights
<input type="radio"/>	<input type="radio"/>	Cross-bracing



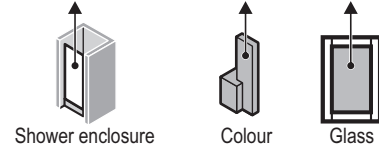
Service action

Order no.



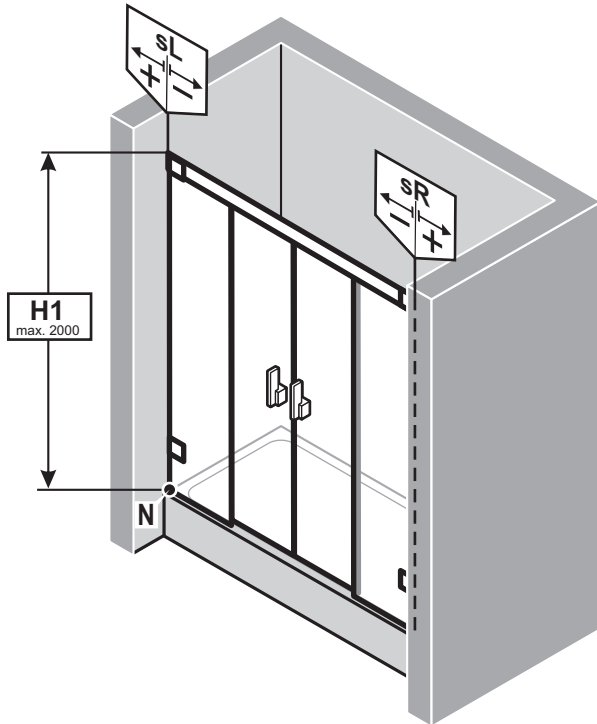
Item number

VR 0 0 2 9 • C 9 1 •



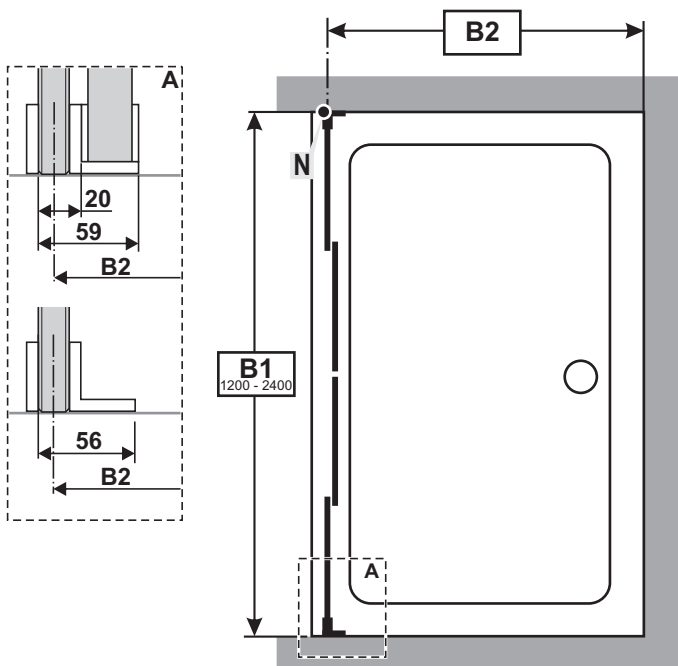
Sketch

= mm



Dimensions

H1	<input type="text"/>	sL	<input type="text" value="+"/> <input type="text" value="-"/>
B1	<input type="text"/>	sR	<input type="text" value="+"/> <input type="text" value="-"/>
B2	<input type="text"/>		



Technical information

.....

.....

.....

.....

.....

.....

.....

.....

.....

.....

Features

- Offer
- Order

	yes	no
<input type="radio"/>	<input type="radio"/>	<input type="radio"/>
<input type="radio"/>	<input type="radio"/>	<input type="radio"/>
<input type="radio"/>	<input type="radio"/>	<input type="radio"/>
<input type="radio"/>	<input type="radio"/>	<input type="radio"/>
<input type="radio"/>	<input type="radio"/>	<input type="radio"/>

- Installation
- Special drill holes
- Non-standard widths/heights
- Cross-bracing



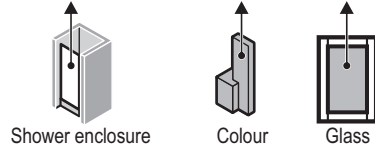
Service action

Order no.



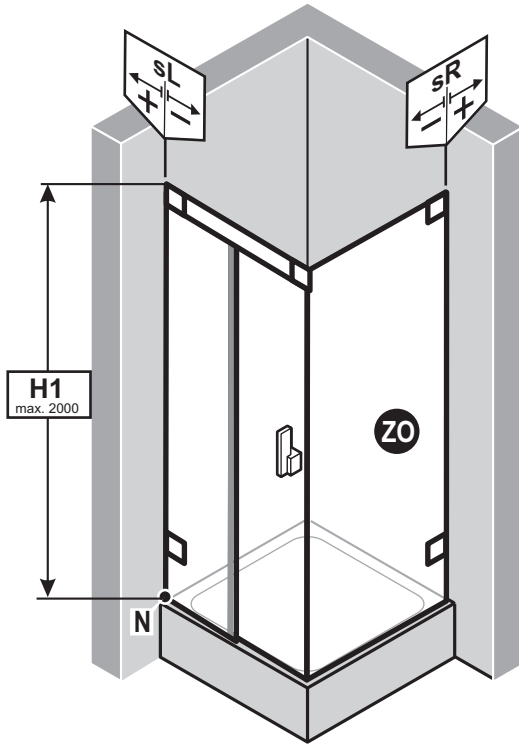
Item number

VR 0 0 4 9 • C 9 1 •



Sketch

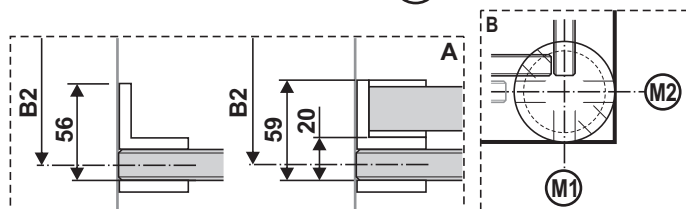
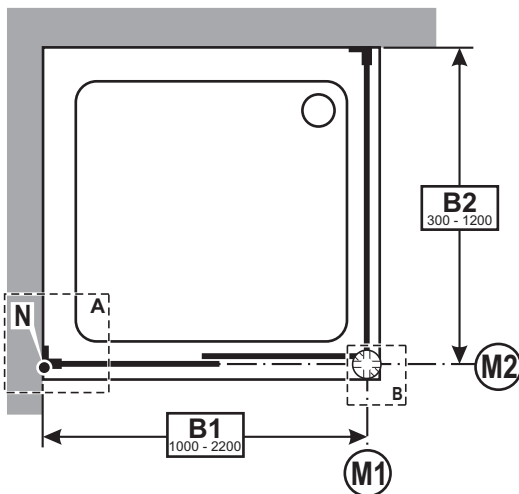
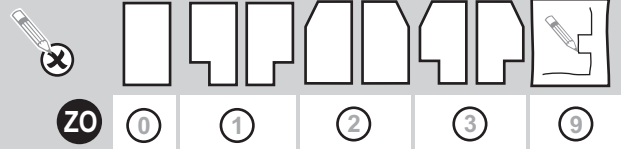
5 10 15 20 25 30 = mm



Dimensions

H1	<input type="text"/>	sL	<input type="text"/>	<input type="text"/>
B1	<input type="text"/>	sR	<input type="text"/>	<input type="text"/>
B2	<input type="text"/>			

Glass



Technical information

.....

.....

.....

.....

.....

.....

.....

.....

.....

.....

Features

- Offer
- Order

yes	no	
<input type="radio"/>	<input type="radio"/>	Installation
<input type="radio"/>	<input type="radio"/>	Special drill holes
<input type="radio"/>	<input type="radio"/>	Non-standard widths/heights
<input type="radio"/>	<input type="radio"/>	Cross-bracing



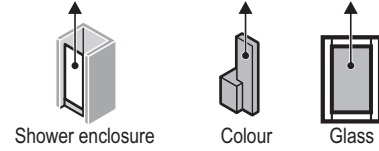
Service action

Order no.



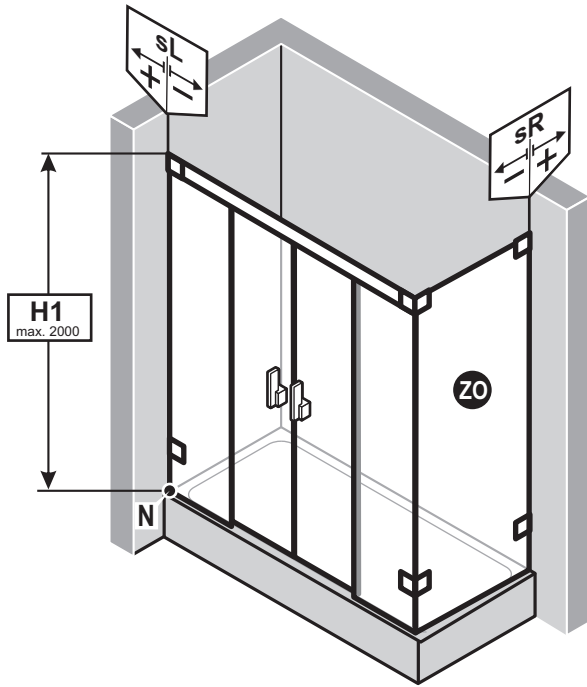
Item number

VR 0 0 8 9 • C 9 1 •



Sketch

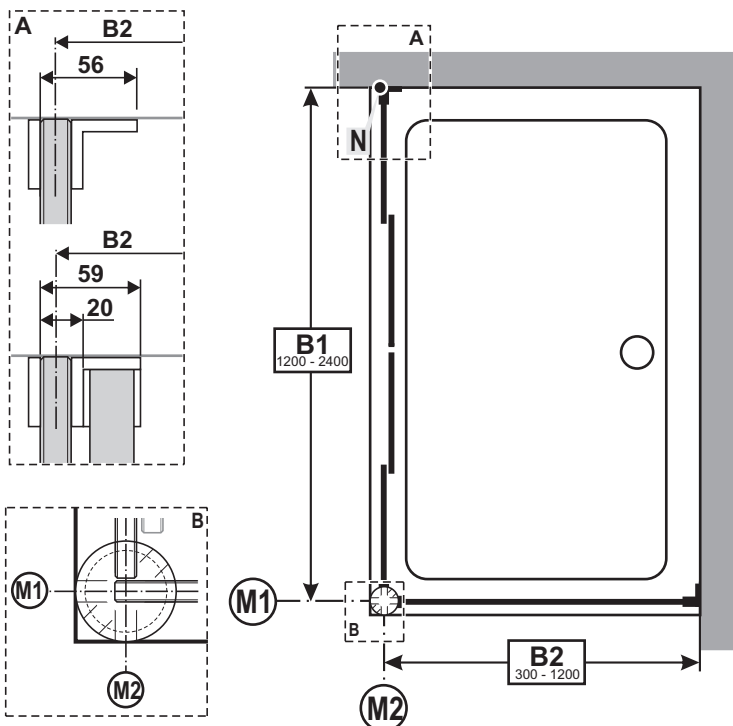
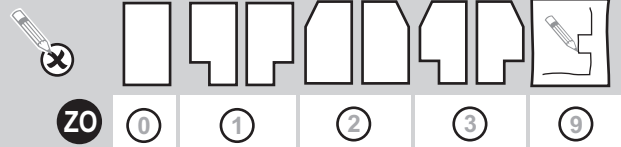
5 10 15 20 25 30 = mm



Dimensions

H1		sL	+	-
B1		sR		
B2				

Glass



Technical information

.....

.....

.....

.....

.....

.....

.....

.....

.....

.....

Features

- Offer
- Order

- | | | |
|-----------------------|-----------------------|-----------------------------|
| yes | no | |
| <input type="radio"/> | <input type="radio"/> | Installation |
| <input type="radio"/> | <input type="radio"/> | Special drill holes |
| <input type="radio"/> | <input type="radio"/> | Non-standard widths/heights |
| <input type="radio"/> | <input type="radio"/> | Cross-bracing |



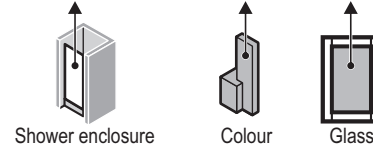
Service action

Order no.



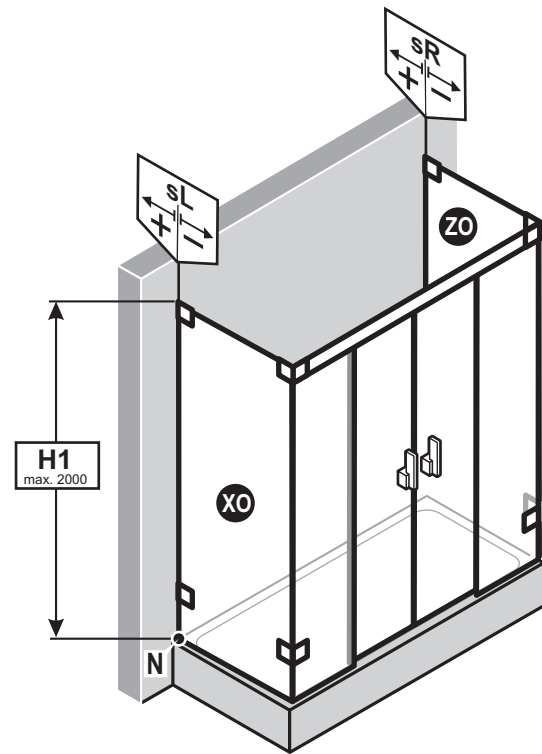
Item number

VR0109•C91



Sketch

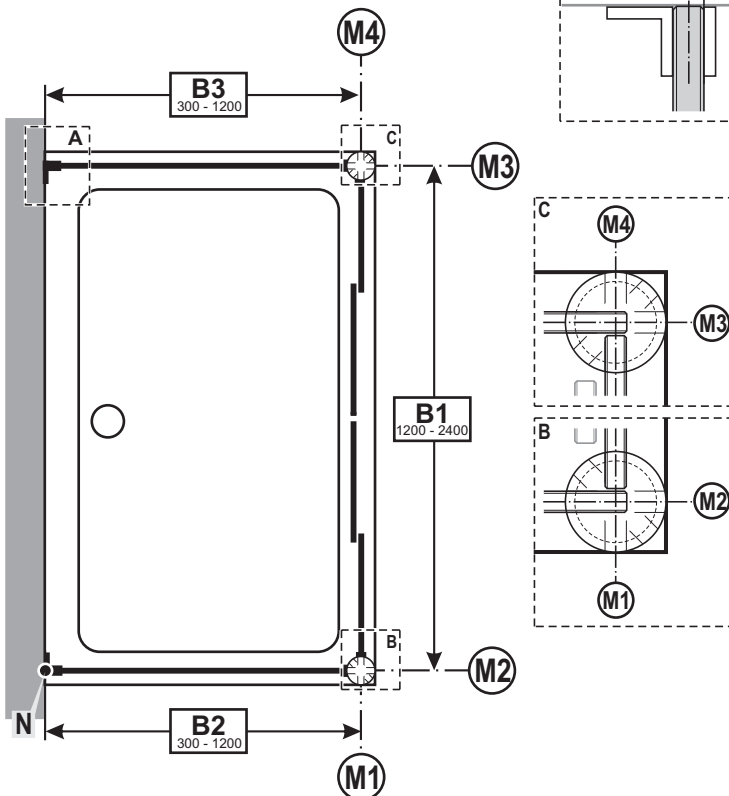
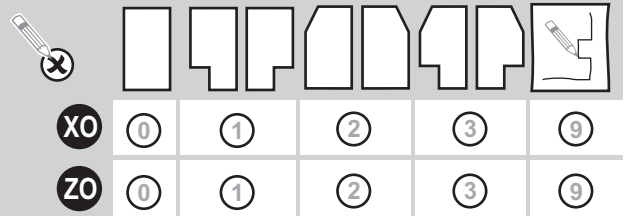
5 10 15 20 25 30 = mm



Dimensions

H1		sL	+	-
B1		sR		
B2				
B3				

Glass



Technical information

Features

- Offer
- Order

yes	no	
<input type="radio"/>	<input type="radio"/>	Installation
<input type="radio"/>	<input type="radio"/>	Special drill holes
<input type="radio"/>	<input type="radio"/>	Non-standard widths/heights
<input type="radio"/>	<input type="radio"/>	Cross-bracing



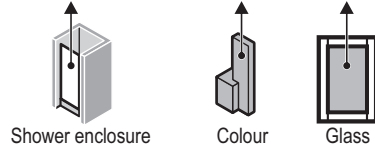
Service action

Order no.



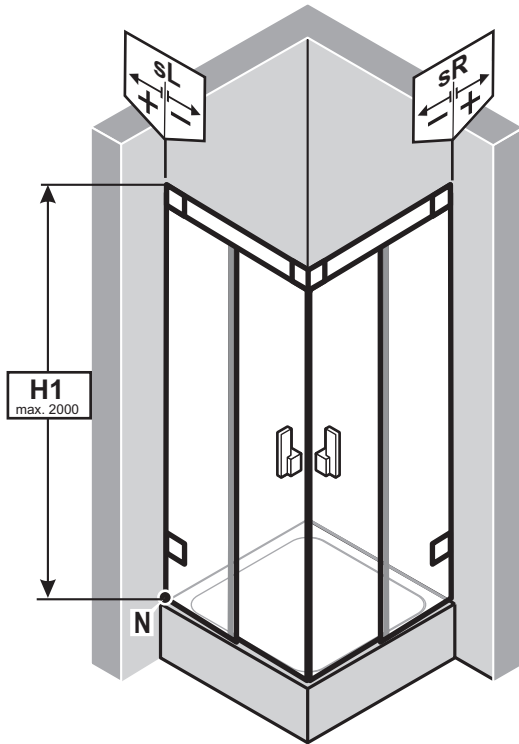
Item number

VR0159•C91



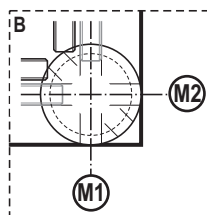
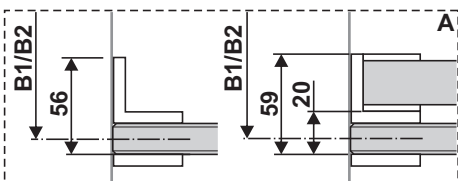
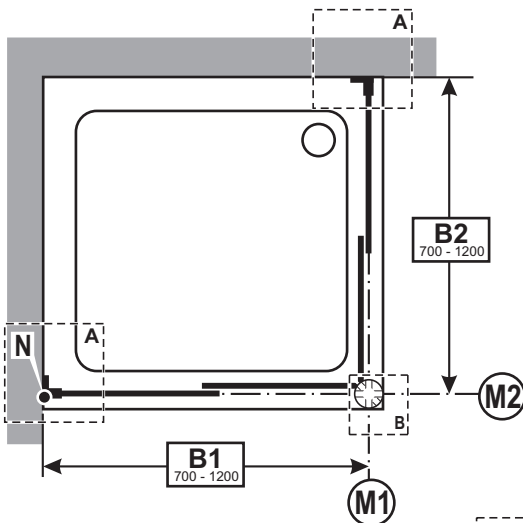
Sketch

5 10 15 20 25 30 = mm



Dimensions

H1	<input type="text"/>	sL	<input type="text" value="+"/> <input type="text" value="-"/>
B1	<input type="text"/>	sR	<input type="text" value="+"/> <input type="text" value="-"/>
B2	<input type="text"/>		



Technical information

.....

.....

.....

.....

.....

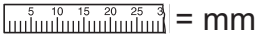
.....

.....

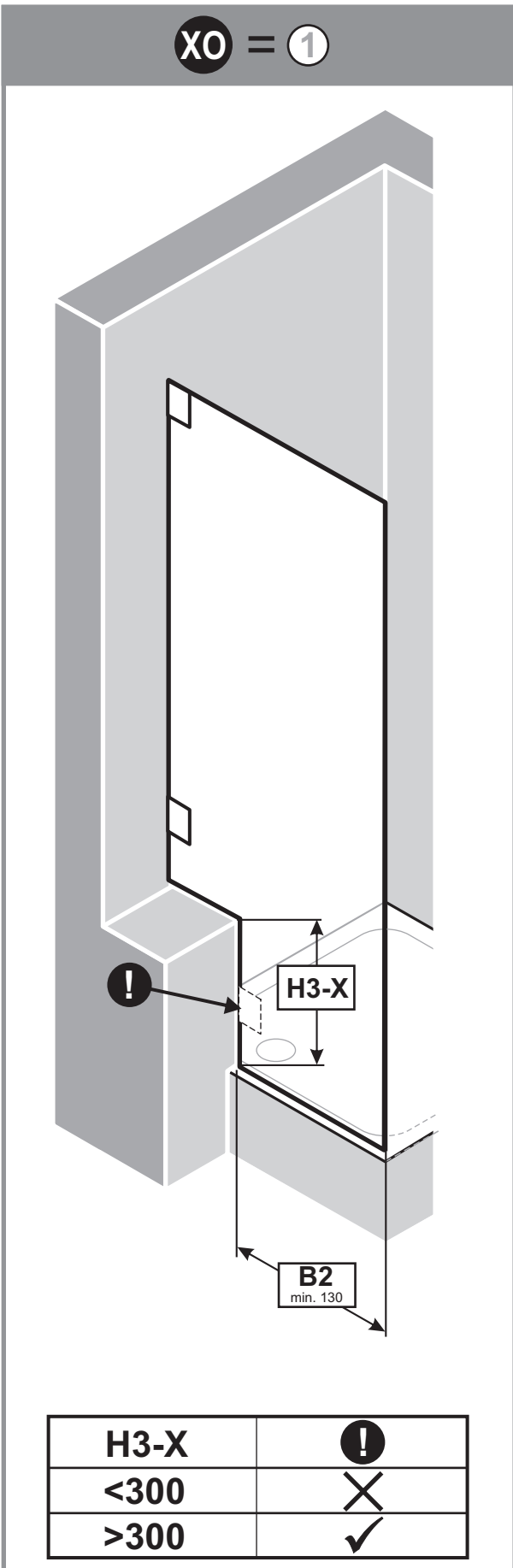
.....

.....

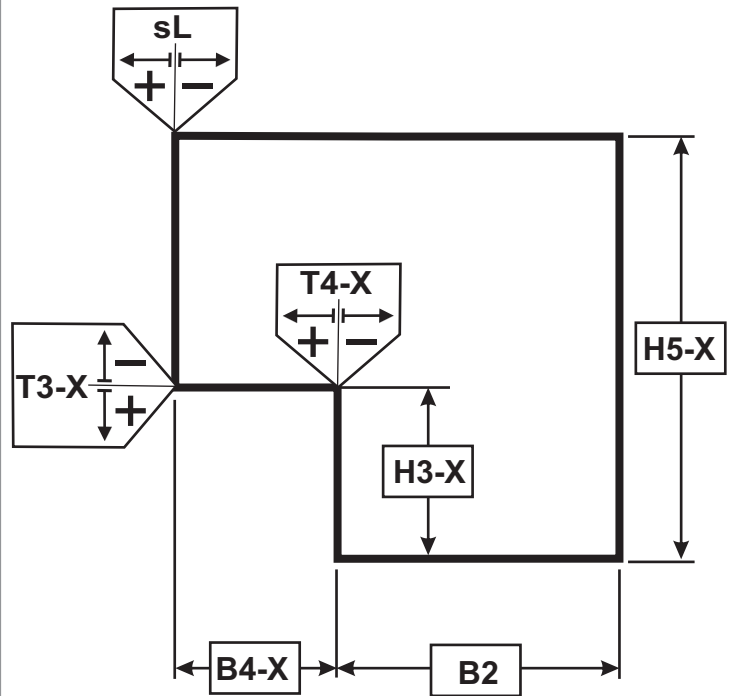
.....



X0 = 1

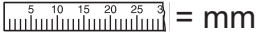


Service action

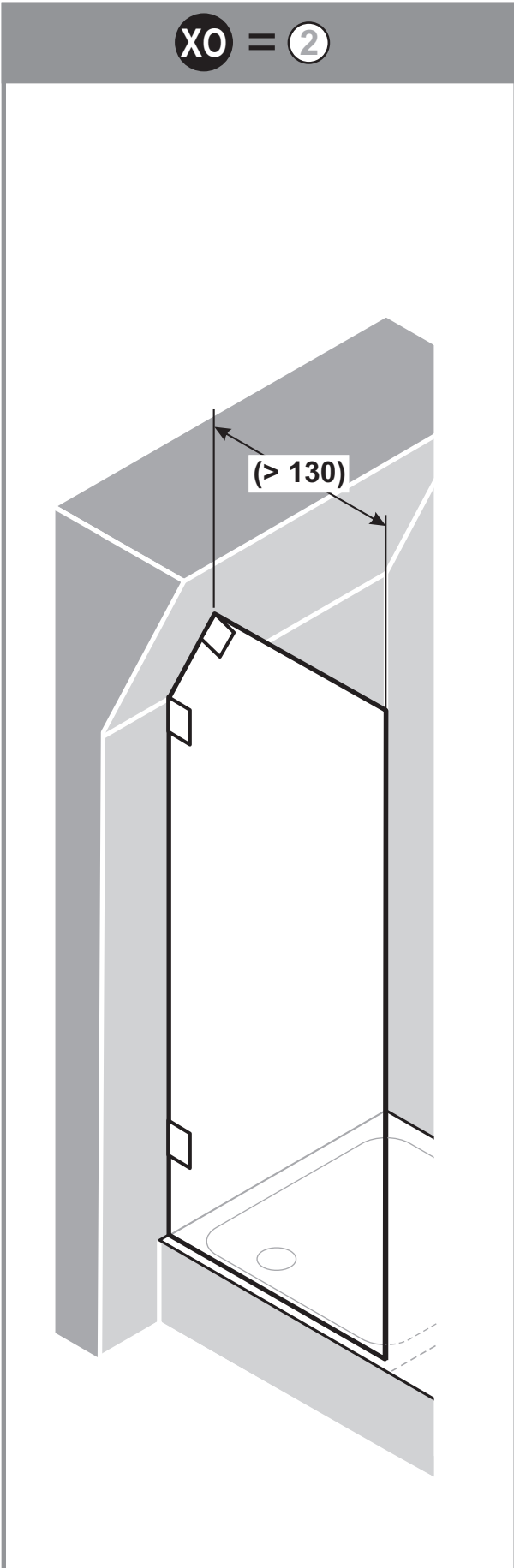


Dimensions

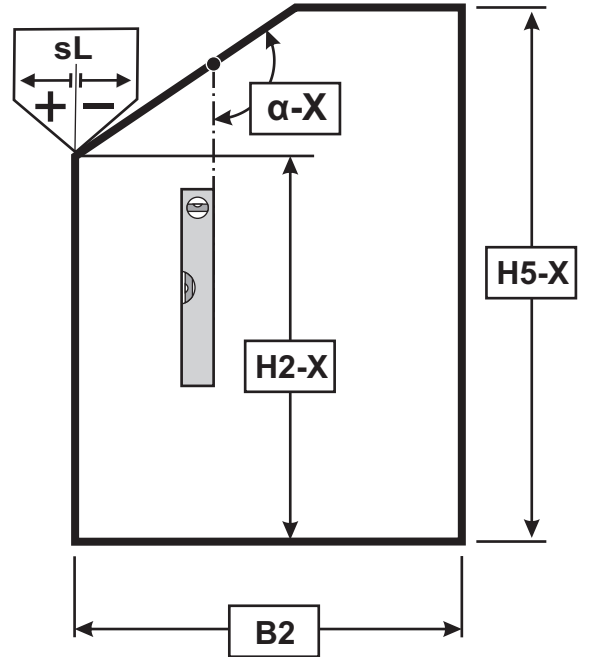
	+	-
H3-X	<input type="text"/>	<input type="text"/>
H5-X	<input type="text"/>	<input type="text"/>
B4-X	<input type="text"/>	<input type="text"/>
B2	<input type="text"/>	<input type="text"/>
sL	<input type="text"/>	<input type="text"/>
T3-X	<input type="text"/>	<input type="text"/>
T4-X	<input type="text"/>	<input type="text"/>



XO = 2



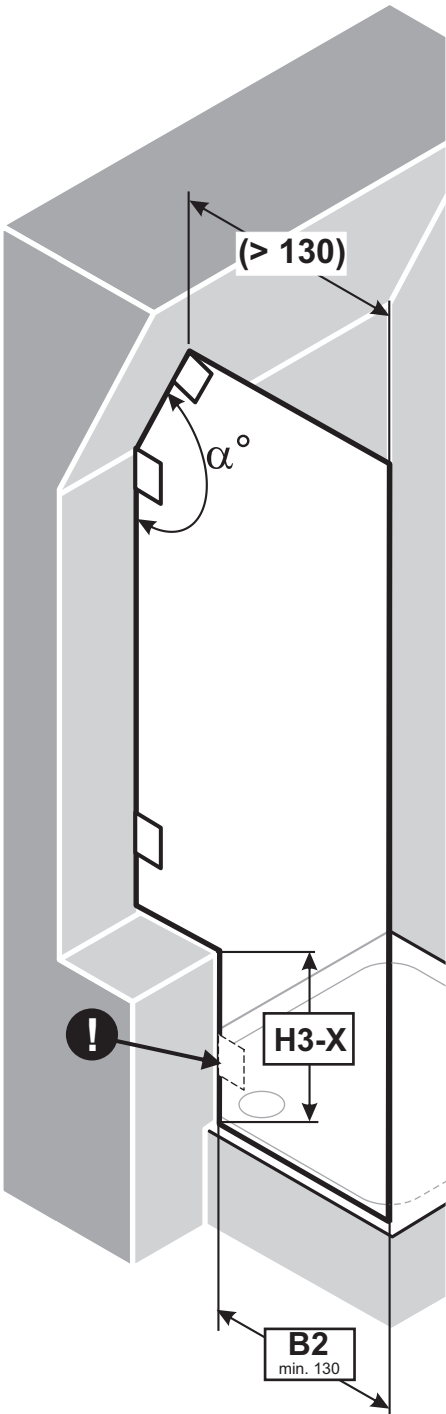
Service action



Dimensions

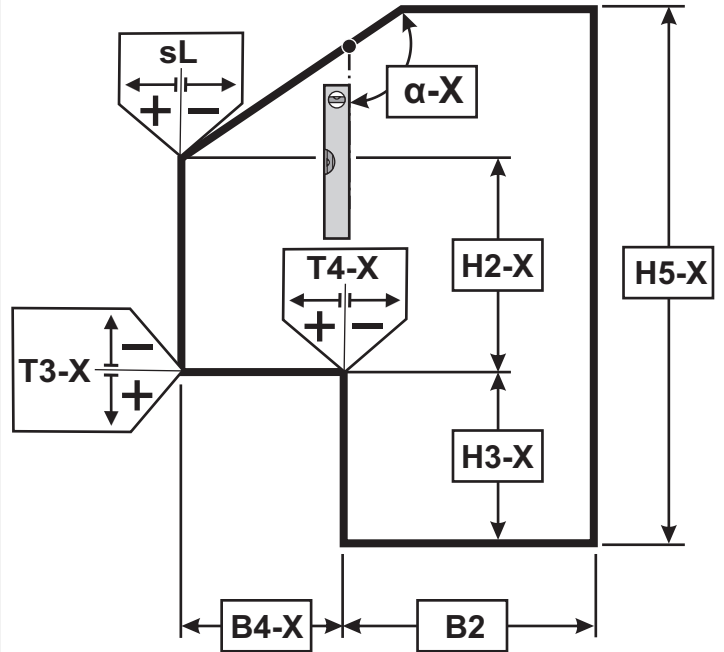
H2-X	<input type="text"/>	sL	<input type="text"/>	<input type="text"/>
H5-X	<input type="text"/>			
B2	<input type="text"/>			
α -X	<input type="text"/>			

XO = 3



H3-X	!
<300	X
>300	✓

Service action

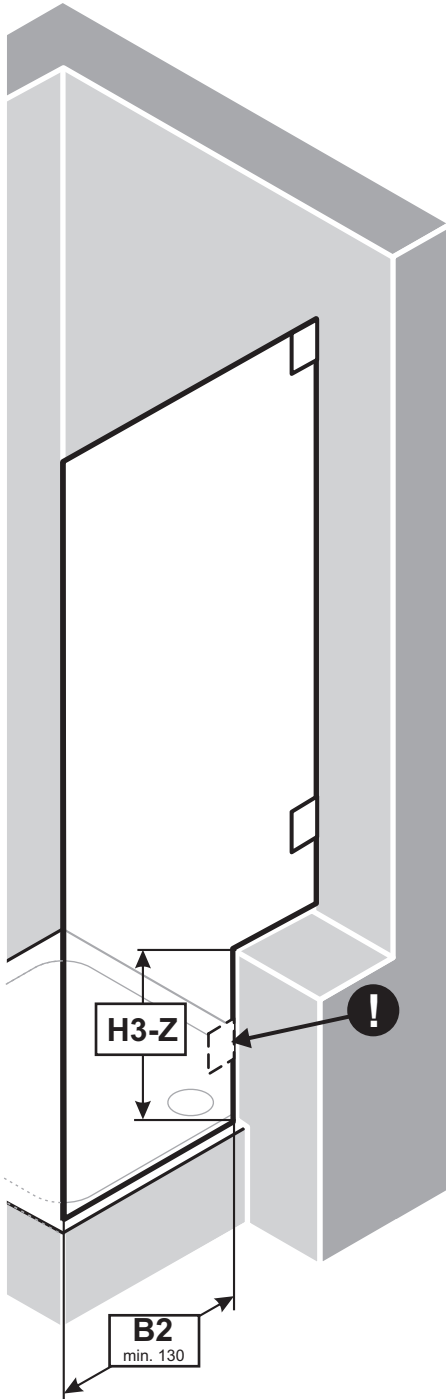


Dimensions

	+	-
H2-X	<input type="text"/>	<input type="text"/>
H3-X	<input type="text"/>	<input type="text"/>
H5-X	<input type="text"/>	<input type="text"/>
B4-X	<input type="text"/>	<input type="text"/>
B2	<input type="text"/>	<input type="text"/>
alpha-X	<input type="text"/>	<input type="text"/>
sL	<input type="text"/>	<input type="text"/>
T3-X	<input type="text"/>	<input type="text"/>
T4-X	<input type="text"/>	<input type="text"/>

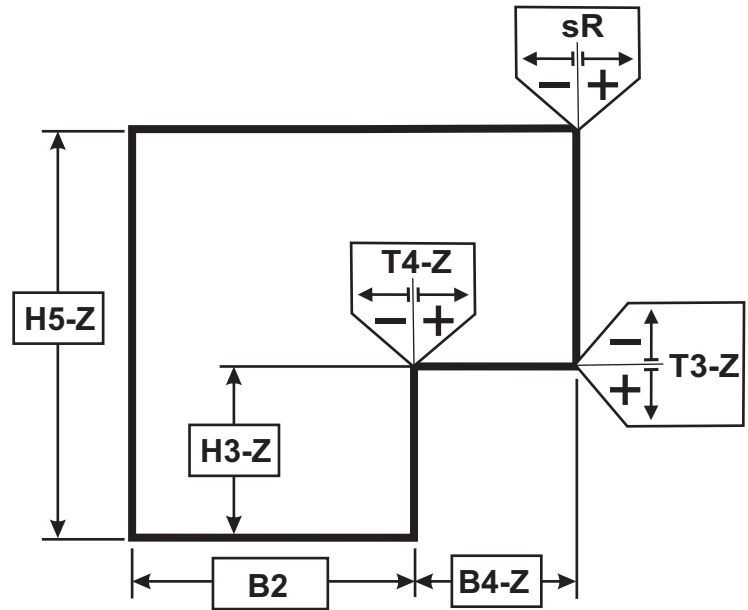


Z0 = 1



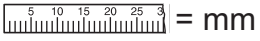
H3-Z	!
<300	X
>300	✓

Service action

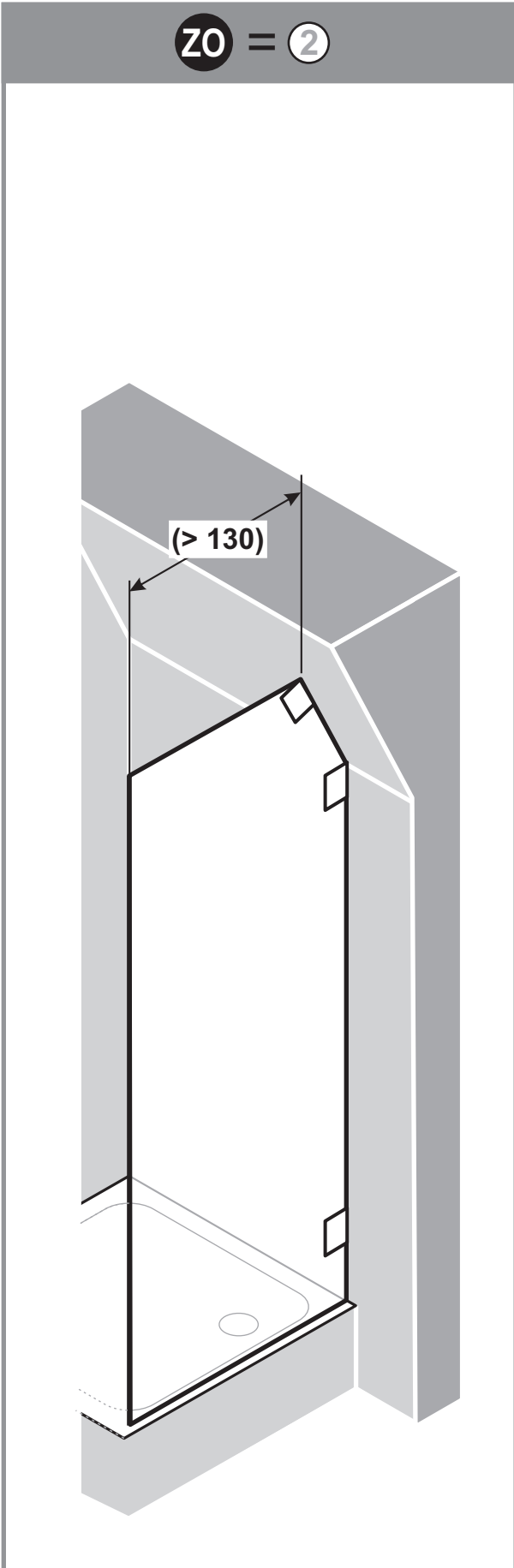


Dimensions

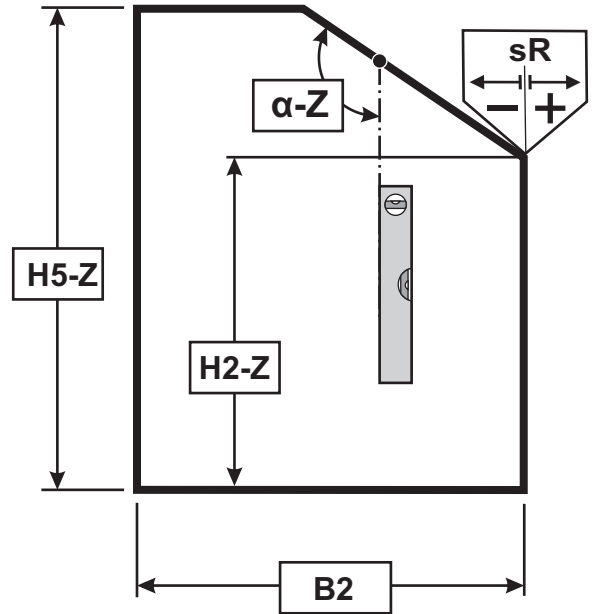
	+	-
H3-Z	<input type="text"/>	<input type="text"/>
H5-Z	<input type="text"/>	<input type="text"/>
B4-Z	<input type="text"/>	<input type="text"/>
B2	<input type="text"/>	<input type="text"/>
sR	<input type="text"/>	<input type="text"/>
T3-Z	<input type="text"/>	<input type="text"/>
T4-Z	<input type="text"/>	<input type="text"/>



Z0 = 2

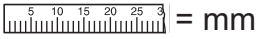


Service action

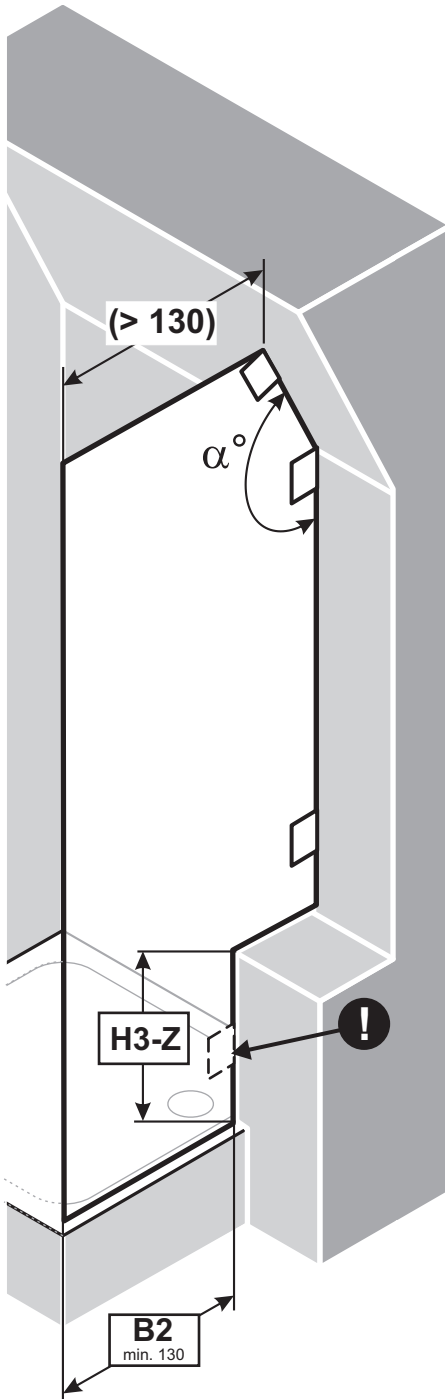


Dimensions

H2-Z	<input type="text"/>	sR	<input type="text"/>	<input type="text"/>
H5-Z	<input type="text"/>			
B2	<input type="text"/>			
α-Z	<input type="text"/>			

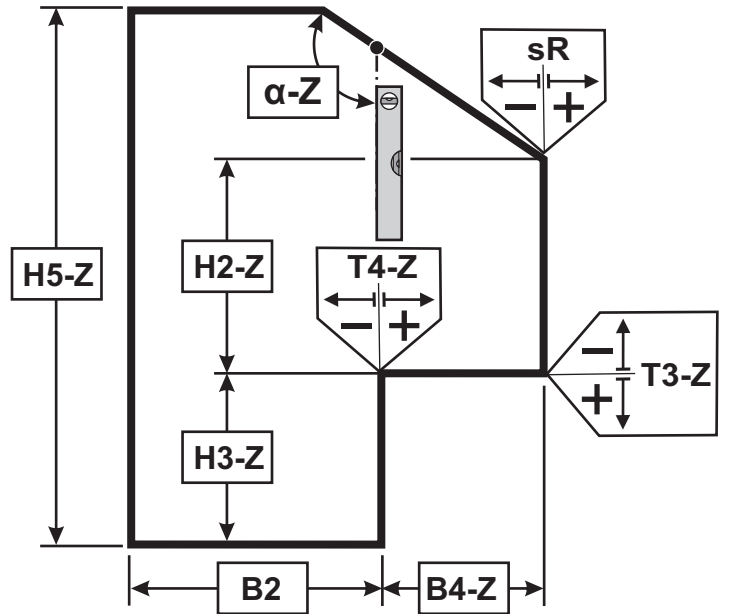


ZO = 3



H3-Z	!
<300	X
>300	✓

Service action



Dimensions

	+	-
H2-Z	<input type="text"/>	<input type="text"/>
H3-Z	<input type="text"/>	<input type="text"/>
H5-Z	<input type="text"/>	<input type="text"/>
B4-Z	<input type="text"/>	<input type="text"/>
B2	<input type="text"/>	<input type="text"/>
$\alpha-Z$	<input type="text"/>	<input type="text"/>
sR	<input type="text"/>	<input type="text"/>
T3-Z	<input type="text"/>	<input type="text"/>
T4-Z	<input type="text"/>	<input type="text"/>